

15FD3.06

FERRITE MAGNET
ALUMINIUM BASKET



15" / 388mm
CHASSIS DIAMETER

500 W
PROGRAM POWER

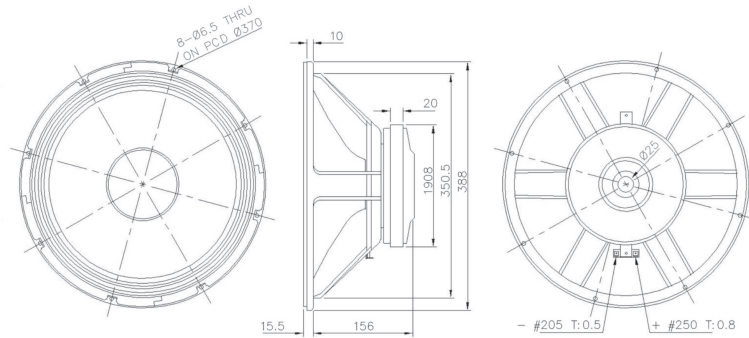
38 Hz" - 4KHz
FREQUENCY RESPONSE

3" / 75.5mm
CHASSIS DIAMETER

98.4dB
SENSITIVITY (1W/1M)

6.5mm Xmax
MAXIMUM EXCURSION

DIMENSION [MM]



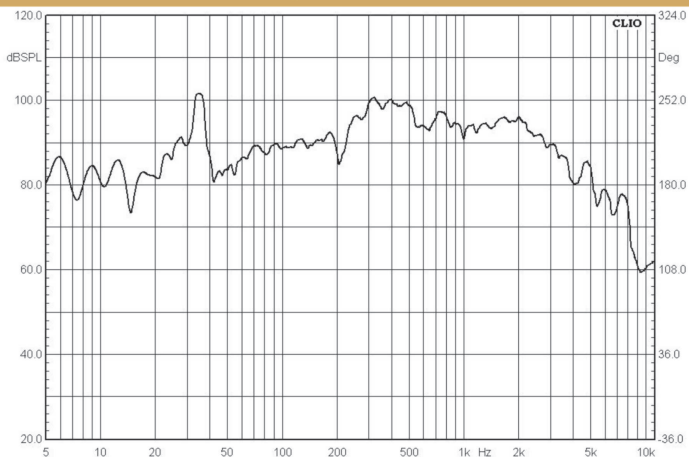
LOUSPEAKER SPECIFICATION

NOMINAL DIAMETER	388mm		
SPEAKER SIZE	15 INCH		
SPEAKER IMPEDANCE	5.3 Ω ± 15% AT 200Hz		
LOWEST RESONANCE FREQUENCY	50 ± 4 Hz		
SOUND PRESSURE LEVEL	98 ± 2 dB 2.83V AT 1W / 1M		
FREQUENCY RANGE	38Hz ~ 4KHz		
POWER	NORMAL	300 W	MAXIMUM 500 W
MAGNET	190 X 85 X 20 mm Y 30		
MAGNETIC GAP	10mm		
VOICE COIL DIAMETER	Ø 75.5mm		
VOICE COIL WIRE MATERIAL	CCAW		
VOICE COIL WINDING HEIGHT	18mm		
CONE PAPER	BLACK PAPER PULP		
SURROUND MATERIAL	Poly Cotton Double Roll		

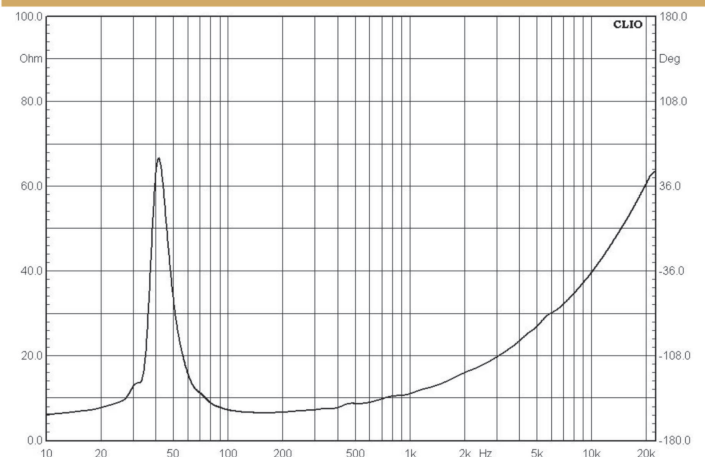
TS PARAMETER

DC RESISTANCE	Re	5.846	[Ohms]
RESONANCE FREQUENCY	Fs	43.74	[Hz]
XMAS	mm	6.5	[mm]
FORCE FACTOR	BL	19.4	[N/A]
MECHANICAL Q-FACTOR	Qms	13.32	
ELECTRICAL Q-FACTOR	Qes	0.3486	
TOTAL Q-FACTOR	Qts	0.3397	
EQUIVALENT AIR VOLUME	Vas	187.7	[liters]
VOICE COIL INDUCTANCE	L10k	0.6708	[mH]
REFERENCE EFFICIENCY	n0	4.296	[%]
SENSITIVITY	dBSPL	98.43	[1W/1m]
MOVING MASS	Ms	81.67	[grams]
COMPLIANCE	Cms	0.162	[mm/N]

FREQUENCY RESPONSE



IMPEDANCE



BUATAN MALAYSIA - MADE IN MALAYSIA