

# 12FD3.03

FERRITE MAGNET  
ALUMINIUM BASKET



12" / 311mm  
CHASSIS DIAMETER

500 W  
PROGRAM POWER

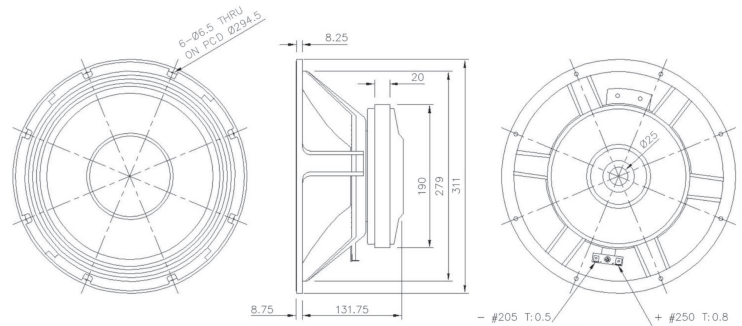
50 Hz" - 4KHz  
FREQUENCY RESPONSE

3" / 75.5mm  
CHASSIS DIAMETER

97dB  
SENSITIVITY (1W/1M)

6.5mm Xmax  
MAXIMUM EXCURSION

## DIMENSION [MM]



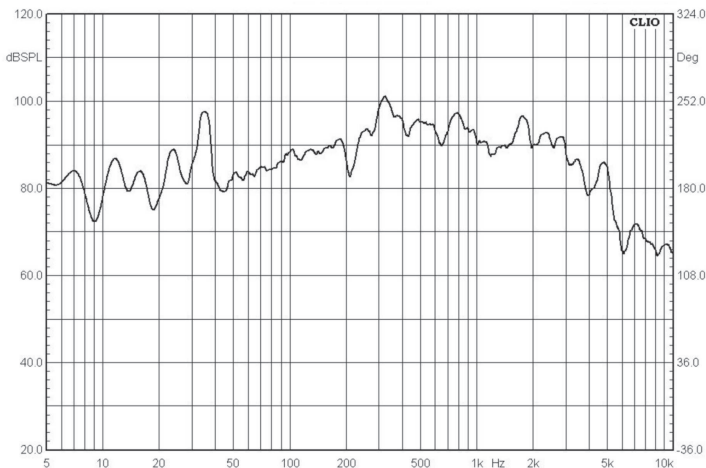
## LOUSPEAKER SPECIFICATION

NOMINAL DIAMETER	311mm			
SPEAKER SIZE	12 INCH			
SPEAKER IMPEDANCE	5.8 Ω ± 15% AT 200Hz			
LOWEST RESONANCE FREQUENCY	50 ± 4 Hz			
SOUND PRESSURE LEVEL	97 ± 2 dB 2.83V AT 1W / 1M			
FREQUENCY RANGE	50Hz ~ 4KHz			
POWER	NORMINAL	300 W	MAXIMUM	500 W
MAGNET	190 X 85 X 20 mm Y 30			
MAGNETIC GAP	10mm			
VOICE COIL DIAMETER	Ø 75.5mm			
VOICE COIL WIRE MATERIAL	CCAW			
VOICE COIL WINDING HEIGHT	18mm			
CONE PAPER	BLACK PAPER PULP			
SURROUND MATERIAL	Poly Cotton Double Roll			

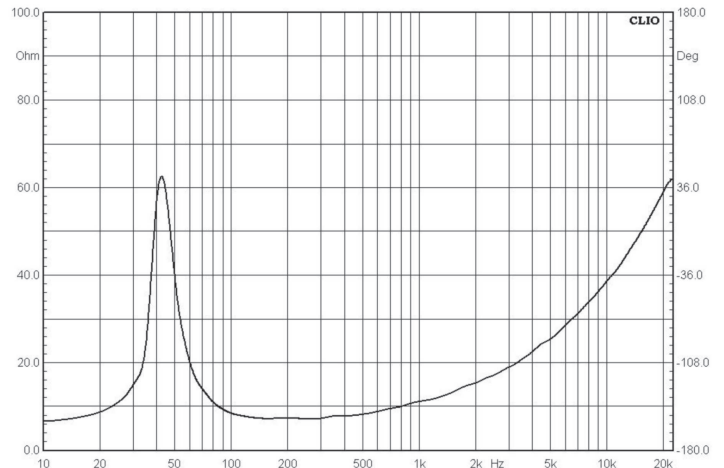
## TS PARAMETER

DC RESISTANCE	Re	5.827	[Ohms]
RESONANCE FREQUENCY	Fs	50.47	[Hz]
XMAS	mm	6.5	[mm]
FORCE FACTOR	BL	19.9	[N/A]
MECHANICAL Q-FACTOR	Qms	13.84	
ELECTRICAL Q-FACTOR	Qes	0.2789	
TOTAL Q-FACTOR	Qts	0.2733	
EQUIVALENT AIR VOLUME	Vas	70.96	[liters]
VOICE COIL INDUCTANCE	L10k	0.6693	[mH]
REFERENCE EFFICIENCY	n0	3.12	[%]
SENSITIVITY	dB SPL	97.04	[1W/1m]
MOVING MASS	Ms	59.88	[grams]
COMPLIANCE	Cms	0.166	[mm/N]

## FREQUENCY RESPONSE



## IMPEDANCE



BUATAN MALAYSIA - MADE IN MALAYSIA